

PRH6D38



FEATURES 特点

- * Excellent solderability and high heat resistance
良好的可焊性和高耐热性

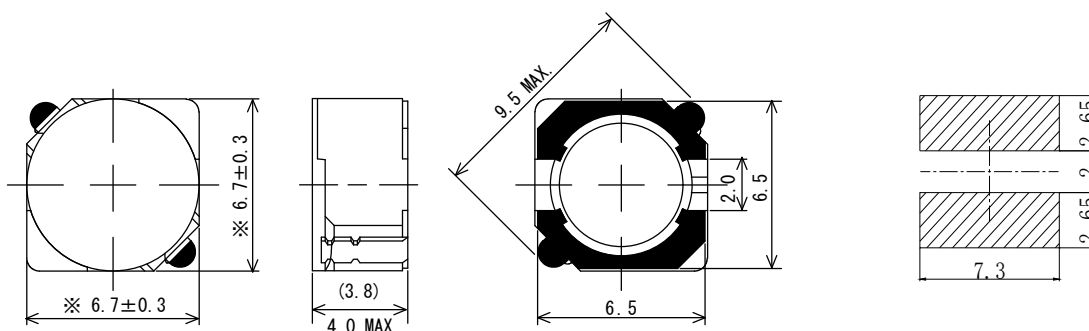
APPLICATION 用途

- * DC / DC 转换器

MEASURING FREQUENCY 测试频率

- * 100KHz 0.3V

Shapes And Dimensions 外形及尺寸示意图



Electrical Characteristics 电气性能

| Type 型号 | Indicate 表示 | Inductance 电感值 | D.C.R(Max) 直流电阻(m) | Rated Current(Max) 额定电流(A) |
|--------------|----------------|---------------------------|------------------------|-------------------------------|
| PRH6D3 8-3R3 | 3R3 | $3.3\mu\text{H} \pm 30\%$ | 20(15) | 3.50 |
| PRH6D3 8-5R0 | 5R0 | $5.0\mu\text{H} \pm 30\%$ | 24(18) | 2.90 |
| PRH6D3 8-6R2 | 6R2 | $6.2\mu\text{H} \pm 30\%$ | 27(20) | 2.50 |
| PRH6D3 8-7R4 | 7R4 | $7.4\mu\text{H} \pm 30\%$ | 31(23) | 2.30 |
| PRH6D3 8-8R7 | 8R7 | $8.7\mu\text{H} \pm 30\%$ | 34(25) | 2.20 |
| PRH6D3 8-100 | 100 | $10\mu\text{H} \pm 30\%$ | 38(28) | 2.00 |
| PRH6D3 8-120 | 120 | $12\mu\text{H} \pm 30\%$ | 53(39) | 1.70 |
| PRH6D3 8-150 | 150 | $15\mu\text{H} \pm 30\%$ | 57(42) | 1.60 |
| PRH6D3 8-180 | 180 | $18\mu\text{H} \pm 30\%$ | 92(68) | 1.50 |
| PRH6D3 8-220 | 220 | $22\mu\text{H} \pm 30\%$ | 96(71) | 1.30 |
| PRH6D3 8-270 | 270 | $27\mu\text{H} \pm 30\%$ | 109(81) | 1.20 |
| PRH6D3 8-330 | 330 | $33\mu\text{H} \pm 30\%$ | 124(92) | 1.10 |
| PRH6D3 8-390 | 390 | $39\mu\text{H} \pm 30\%$ | 138(102) | 1.00 |
| PRH6D3 8-470 | 470 | $47\mu\text{H} \pm 30\%$ | 155(115) | 0.95 |
| PRH6D3 8-560 | 560 | $56\mu\text{H} \pm 30\%$ | 202(150) | 0.85 |
| PRH6D3 8-680 | 680 | $68\mu\text{H} \pm 30\%$ | 234(173) | 0.75 |
| PRH6D3 8-820 | 820 | $82\mu\text{H} \pm 30\%$ | 324(240) | 0.70 |
| PRH6D3 8-101 | 101 | $100\mu\text{H} \pm 30\%$ | 358(265) | 0.65 |

* SPQ:1500PCS/REEL

The sample parameters are based on actual measured values